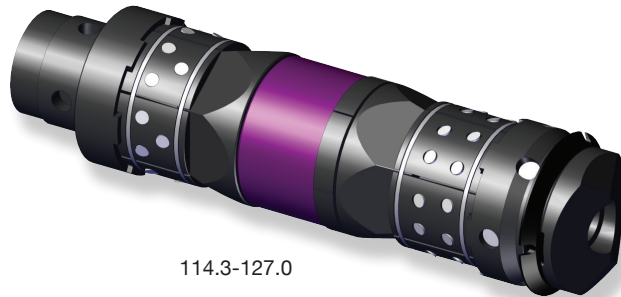
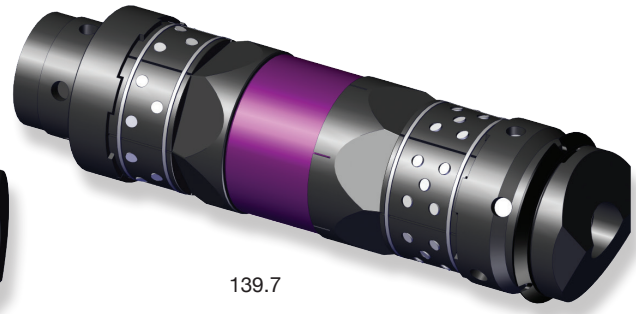


The PurpleSeal PS-C All-Composite Frac Plug

Zero metallic content plus premium performance at a great price



114.3-127.0



139.7

The PurpleSeal™ PS-C is an all-composite frac plug with ceramic buttons in the upper and lower slips, rated up to 68.9 MPa. Proprietary high-strength composite materials ensure uniform performance and durability at temperatures up to 121.1 C. Interlocking castellations on the slips and end caps and a contoured interface between the slips and cones eliminate component rotation to ensure even, concentric slip expansion. With zero metallic content, PurpleSeal PS-C frac plugs consistently drill out in 6 minutes or less.

Features and Benefits

- Anti-preset features in both the plug and wireline adapter kit
- Proven seal back-up ensures superior sealing performance
- Available with the PurpleSeal Express™ single-use plug-deployment system
- Can also be deployed on all conventional setting tools
- Drill-out work string can be conventional or coiled tubing
- Pump-down wiper is included for every plug (use is optional)
- Can be run with the frac ball in place to conserve water

Casing Size mm	Casing Weight kg/m	Pressure rating MPa	Plug OD mm	Plug ID mm	Plug OAL mm	Part Number
114.3	17.3-22.5	68.9	91.4	25.4	372.4	0024209
127.0	34.0	62.1	91.4	25.4	372.4	0024209
127.0	26.8-31.9	68.9	97.8	25.4	397.0	0028403
139.7	29.8-34.3	68.9	111.2	38.1	432.2	0025712



REPEAT PRECISION

repeatprecision.com

Clint Mickey
Product Line Manager
210.243.5594

Rob Proctor
NCSM Sales Manager
403.998.0977